

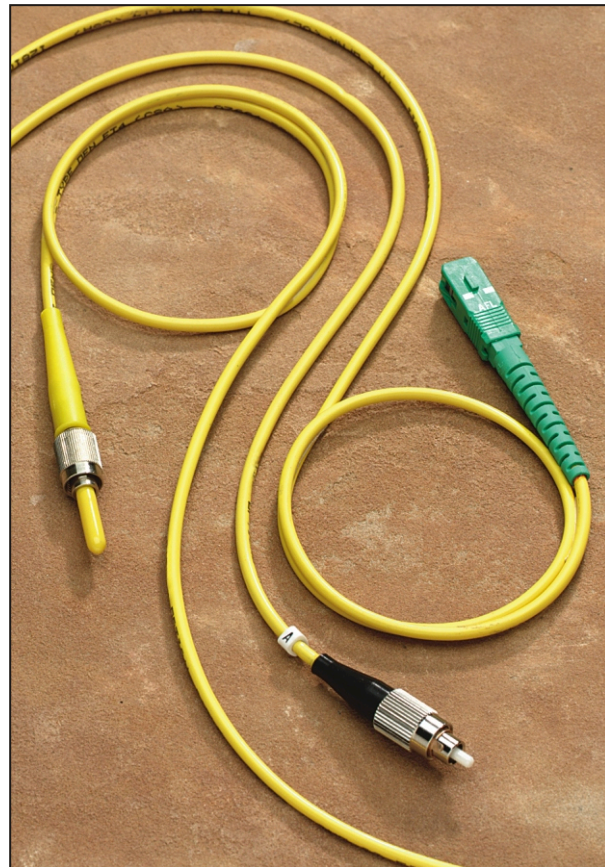
### **FEATURES & BENEFITS**

- **100% Testing**
- **Premium Quality**
- **Rugged 3mm Kevlar Jacket**
- **Custom Lengths**
- **Low Return Loss**
- **Corning SMF 28 Fiber**
- **Multiple Connector Options**
- **PC, SPC, UPC & APC Polishes**

Made with the finest materials available, IPITEK single mode cable assemblies are designed to meet or exceed the demanding specifications required in the CATV, telco, instrumentation and scientific marketplaces. Rugged and reliable, IPITEK patchcords are 100% tested to ensure that only the finest product is delivered.

IPITEK patchcords are terminated with premium quality SC, FC, ST, LC or E-2000 connectors. Standard and very low back reflection polishes are available. All connectors are supplied with zirconia ceramic ferrules and polished using state-of-the-art automated equipment for top performance, maximum consistency and greater durability. Other connectors may be supplied upon request.

IPITEK standard patchcords are manufactured using Corning SMF 28 fiber with either 900  $\mu$ m tight buffered or 3 mm Kevlar reinforced jacketed cable.



Patchcords using nonstandard fibers, buffers and jackets may be provided per your specification.

An extensive factory inventory and production capacity help to ensure fast deliveries. For those who prefer to be more exact in their jumper distances, IPITEK patchcords are available with lengths in one meter increments. Why should you pay for cable you're not going to use?

For further information on our premium quality patchcords, please contact an IPITEK photonic components salesperson.

# SPECIFICATIONS

## Patchcords

### CONNECTOR OPTIONS

- SC                      • ST
- FC                      • LC

Others available upon request.

### POLISH OPTIONS

- UPC                     • SPC
- APC                     • PC

**Fiber Type:** Single mode Corning SMF 28

Other fiber readily available upon request.

**Jacket/Buffer Type:**

3mm Kevlar  
900 µm tight buffer

Others available upon request.

**Length:**

All lengths available in 1m increments.

Custom lengths readily available upon request.

**Options:**

Variable strain relief boot lengths

3 mm duplex cable

Right-angle strain relief boots

Customer-specified fibers, buffers and jackets

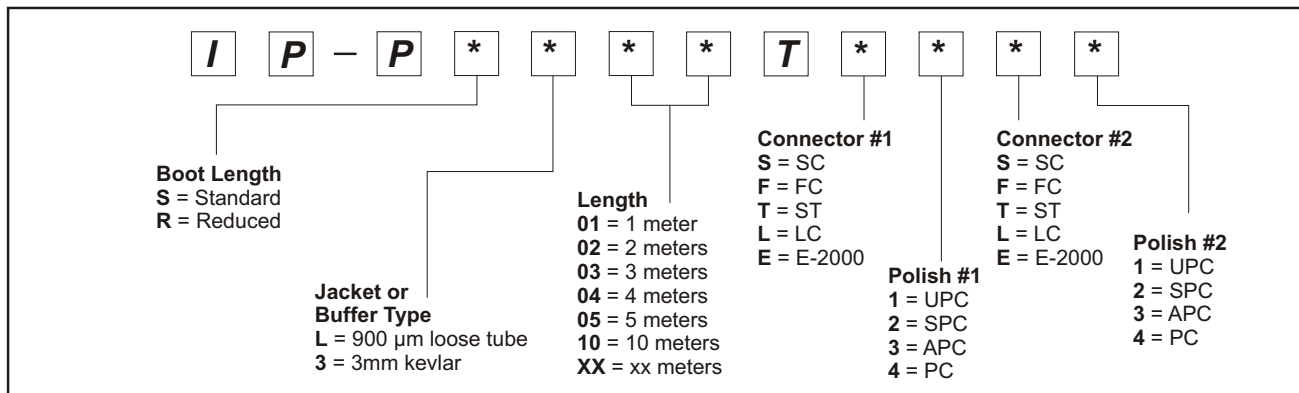
### RETURN LOSS

Connector Polish	Loss
UPC	≥ -55 dB
SPC	≥ -50 dB
APC	≥ -70 dB
PC	≥ -45 dB

### INSERTION LOSS

Typical	Maximum
≤ 0.2 dB	≤ 0.3 dB

### ORDERING INFORMATION



2330 Faraday Avenue • Carlsbad • CA • 92008  
(760) 438-1010 • Toll Free (888) 4-IPITEK (447-4835)

IPITEK reserves the right to modify product specifications without prior notification.