

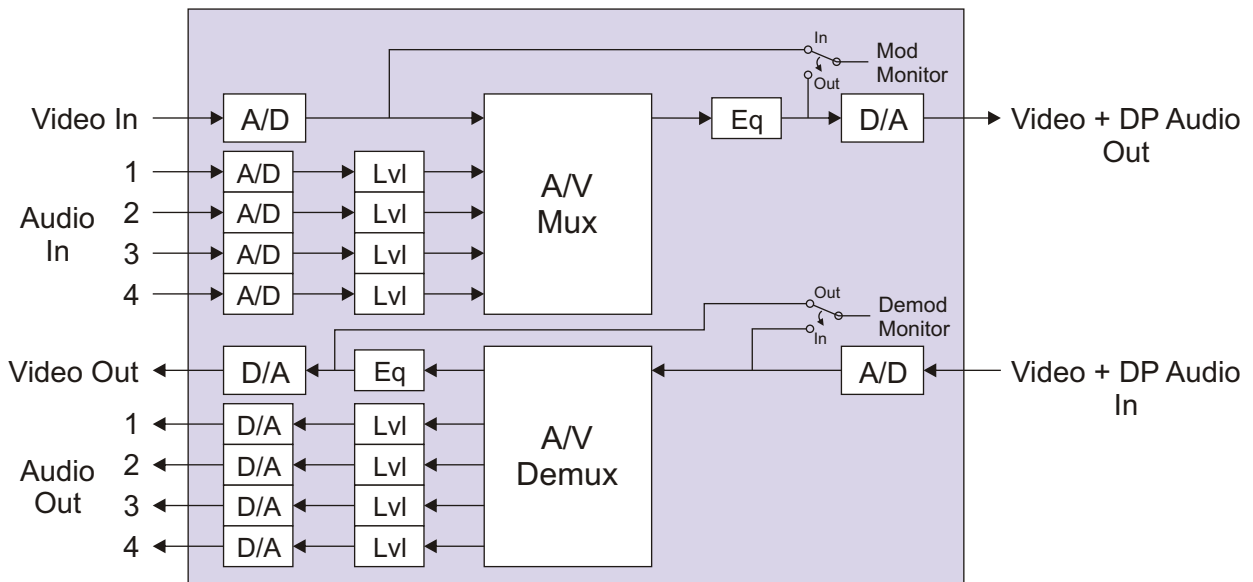
PRO VIDEO LINK
 MSP-220-C Pro Video Converter



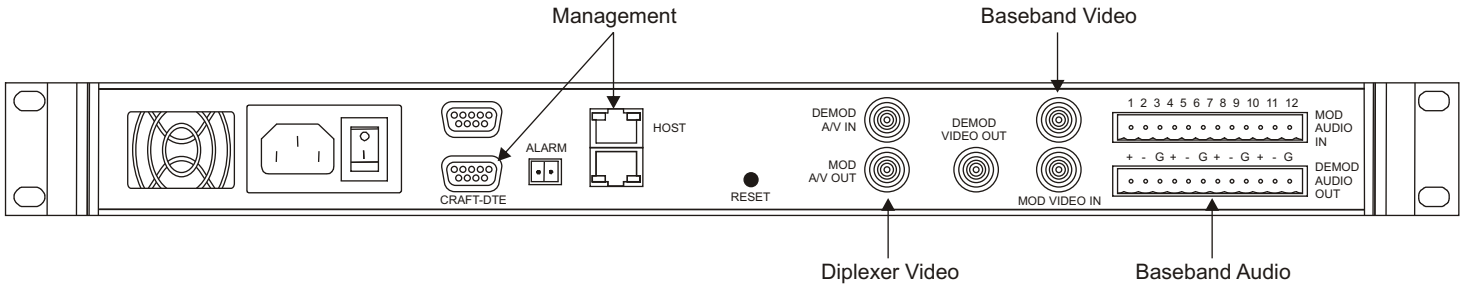
Media Service Platform

- **GR-338 Dual Diplex Conversion**
- **Full Bi-directional operation**
- **FM audio over video combining and demodulating**
- **Software adjustable in/out levels**
- **Software adjustable output Coax cable equalization**
- **Software based audio level monitoring**
- **in/out front panel monitor jacks**
- **Web Browser and SNMP based management**
- **NEBS Level 3 tested and certified**

IPITEK's new MSP-220-C Pro Video Converter is a state-of-the-art solution for video switching centers to convert between analog video plus diplexed audio signals and analog video with separate audio channels. Bi-directional operation is supported thru the use of one modulator and one demodulator circuit within the compact 1 RU enclosure. The signal quality is equal to the MSP-220-T Pro Video Link as both are based on the same 12 bit PCM video encoder and decoder design, discrete audio encoder and decoder circuitry, and audio FM carrier digital encoder and decoder circuitry. Audio measurement and adjustment is supplied in an identical fashion as MSP-220-T. Video equalization is also supplied independently to both video outputs.



REAR PANEL VIEW



SPECIFICATIONS

Baseband and Diplexed Video

Signal-to-Noise Ratio:	≥73 dB, quiet line
Frequency Response (4.2MHz):	±0.2 dB
Chroma-Luma Gain:	±2 IRE
Chroma-Luma Delay:	±10 ns
Chroma Non-Linear Gain:	±1 IRE
Chroma Non-Linear Phase:	1.0°
Chrom-Luma Intermodulation:	1 IRE
Differential Gain:	2%
Differential Phase:	0.7°
Maximum Input Level:	1.143 V p-p, typical 1V p-p

Baseband and Diplexed Audio

Signal-to-Noise Ratio:	≥ 78 dB
Total Harmonic Distortion:	≤ 0.5%
Frequency Response:	±0.5 dB, 20 Hz to 15 KHz ±1.5 dB, 15 Hz to 17 KHz ±4.5 dB @ 20 KHz
Transmission Time Differential:	10 ms lag ms
Audio Channels:	2,3,4

Craft Async

RS-232 (2):	57.6 Kb/s, 8/N/2
-------------	------------------

Environmental

Operating Temperature:	0° to 50° C
Storage Temperature:	-55° to +75°C
Operating Humidity:	to 90%, non-condensing
Dimensions:	1.75"H x 19" or 23" W x 14"D
Power:	-48 VDC or 110/220 VAC, 42 watts
Heat:	143.3 BTU/Hr
Weight:	7 lbs

ORDERING INFORMATION

MSP-220-C - DC

*MSP-220-C
Pro Video
Link*

Version
DC Powered



2330 Faraday Avenue • Carlsbad • CA • 92008
(760) 438-1010 • Toll Free (888) 4-IPITEK (447-4835)

IPITEK reserves the right to modify product specifications without prior notification.

DAT-MSP-220C Rev. A Copyright © IPITEK 2006

FAX (760) 438-2412 • sales@ipitek.com • www.ipitek.com

IPITEK is ISO 9001 Registered